

Building Instructions

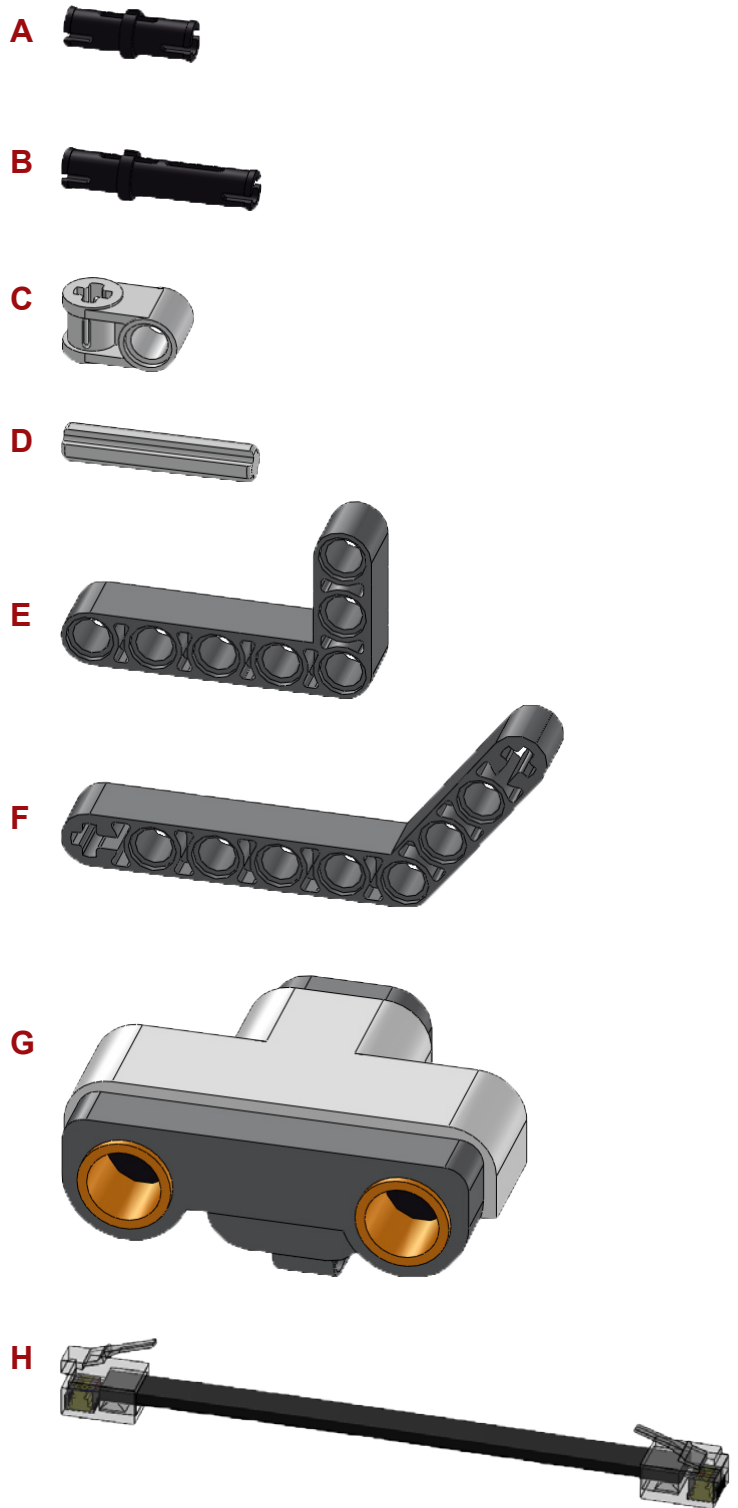


Ultrasonic Sensor Attachment

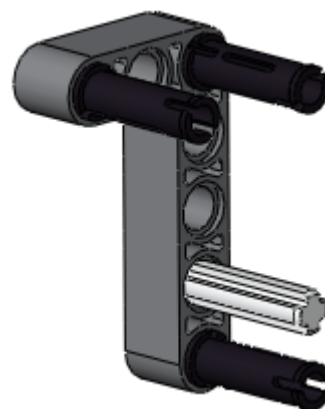
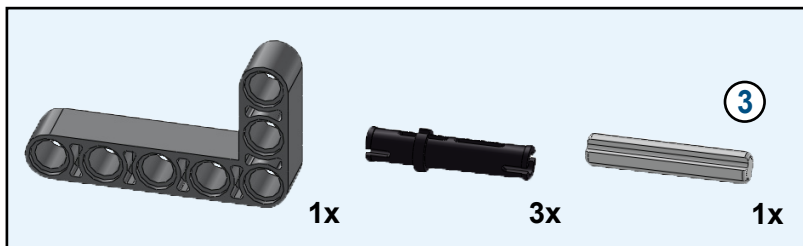
Ultrasonic Sensor Attachment

- 2x TECHNIC Pin with Friction
- 3x TECHNIC Pin Long with Friction
- 2x TECHNIC Crossblock 2
- 2x TECHNIC Axle 3
- 2x TECHNIC Angle Beam 5 by 3
- 1x TECHNIC Angle Beam
- 1x LEGO NXT Ultrasonic Sensor
- 1x LEGO NXT Wire

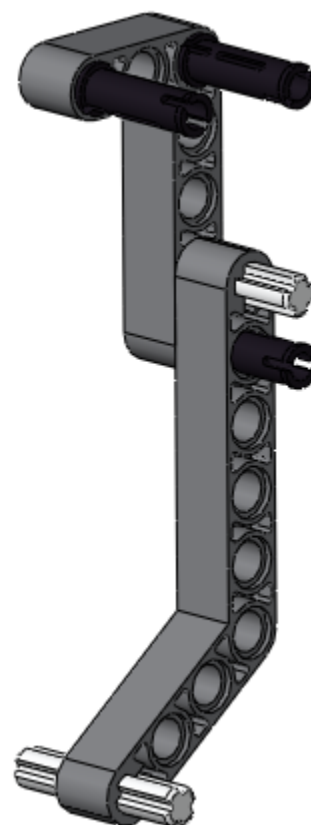
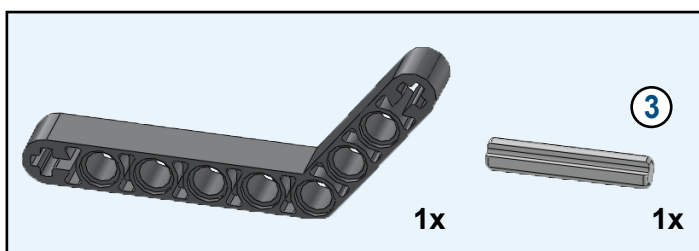
- A
- B
- C
- D
- E
- F
- G
- H



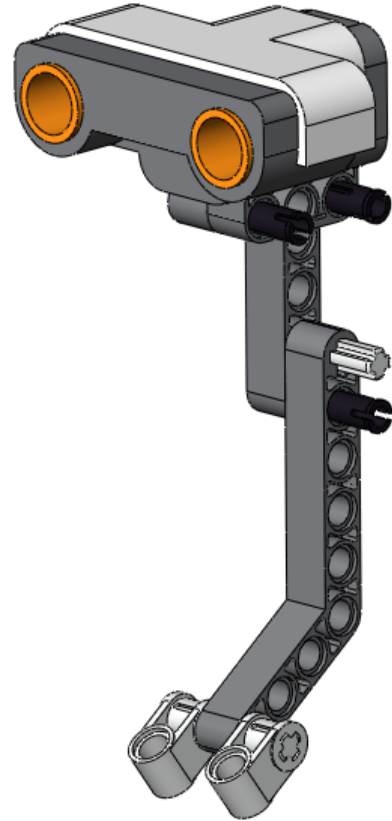
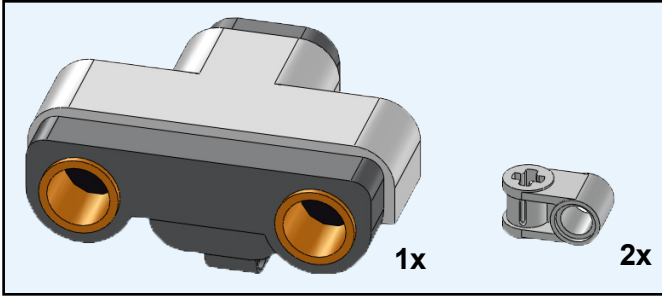
1



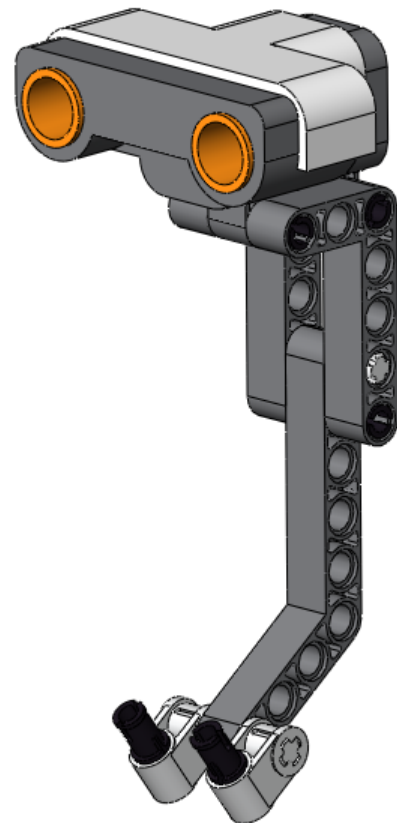
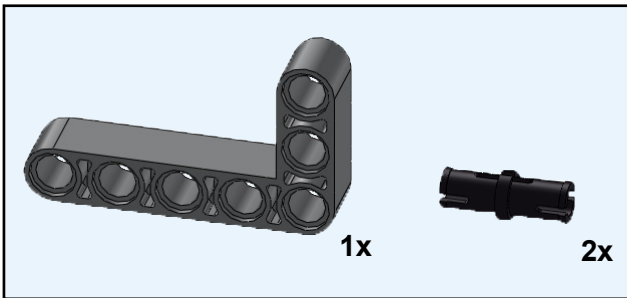
2



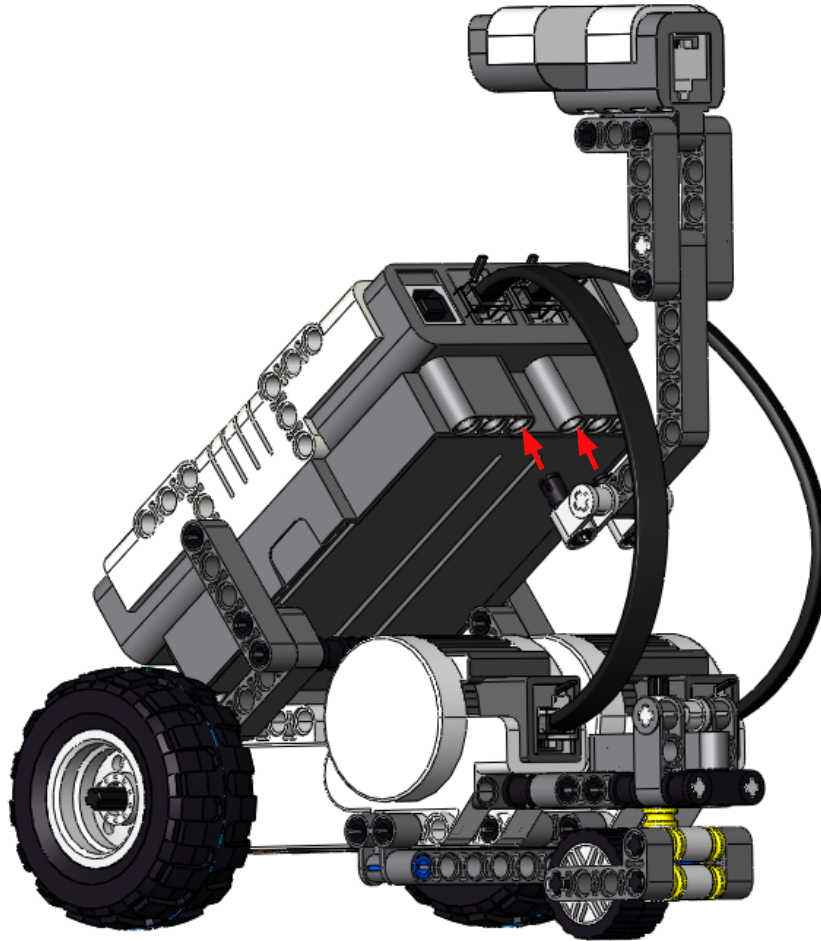
3



4



5



6

