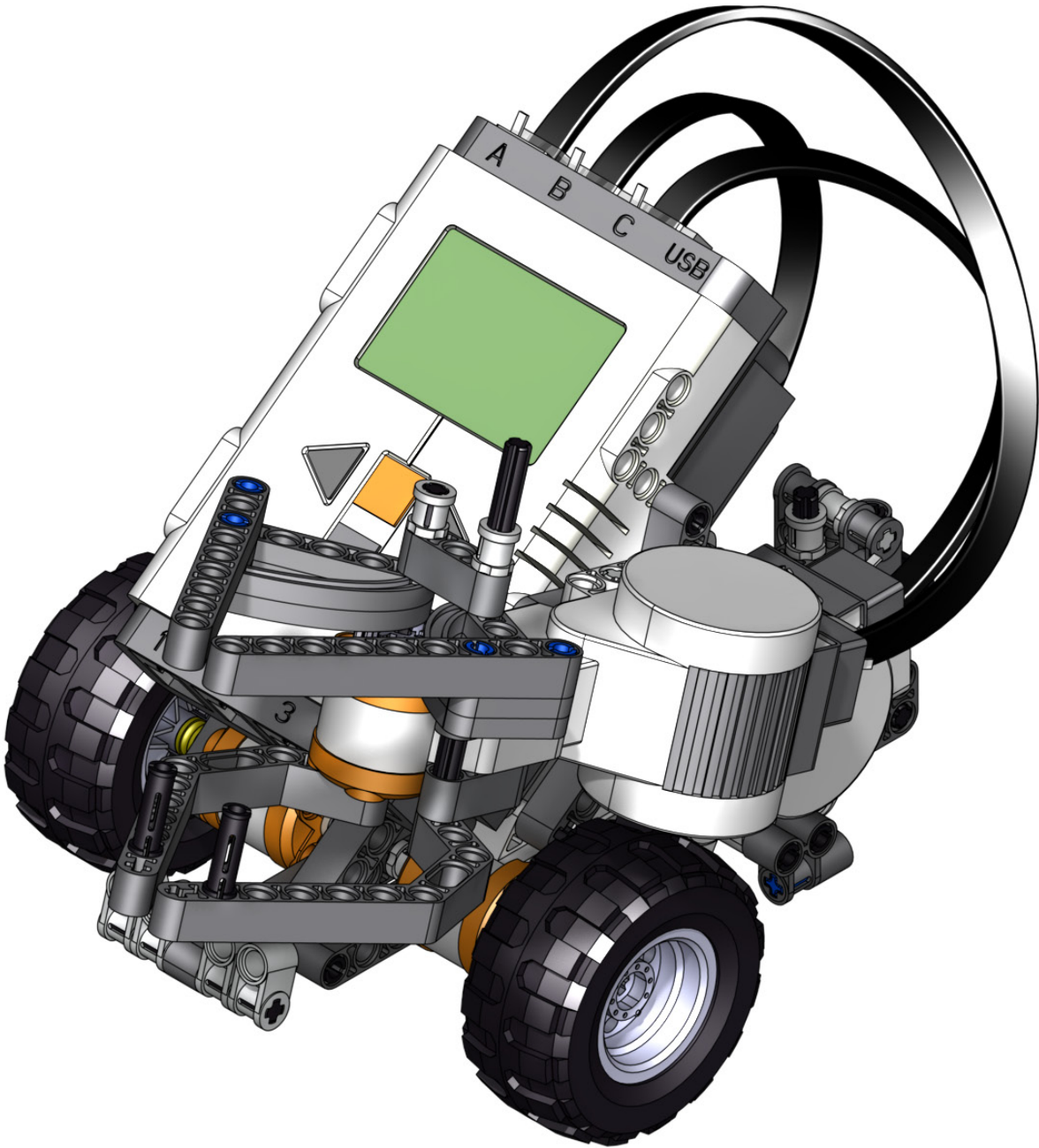


# Building Instructions

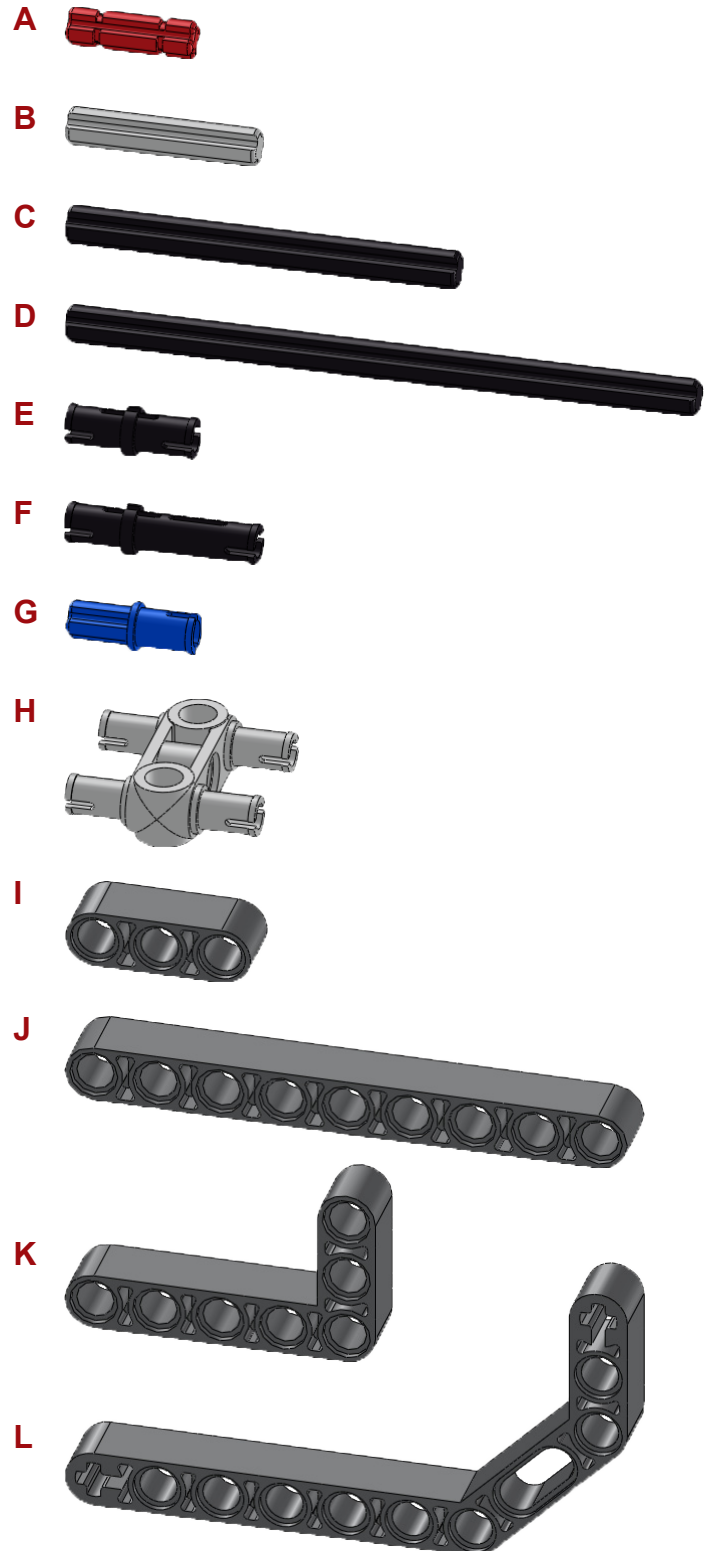


# Gripper Attachment

# Gripper

- 1x TECHNIC Axle 2
- 2x TECHNIC Axle 3
- 1x TECHNIC Axle 6
- 1x TECHNIC Axle 10
- 4x TECHNIC Pin with Friction
- 5x TECHNIC Pin Long with Friction
- 4x TECHNIC Axle Pin with Friction
- 2x TECHNIC Connector 3W
- 3x TECHNIC Beam 3
- 2x TECHNIC Beam 9
- 1x TECHNIC Angle Beam 5 by 3
- 2x TECHNIC Angle Beam 9 by 5

- A
- B
- C
- D
- E
- F
- G
- H
- I
- J
- K
- L

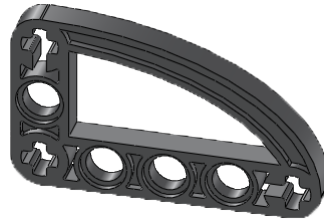


# Gripper

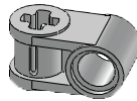
- 4x TECHNIC Beam Round
- 2x TECHNIC Crossblock 2
- 2x TECHNIC Bushing
- 2x TECHNIC Gear 16
- 1x LEGO NXT Motor
- 1x LEGO NXT Wire

- M
- N
- O
- P
- Q
- R

M



N



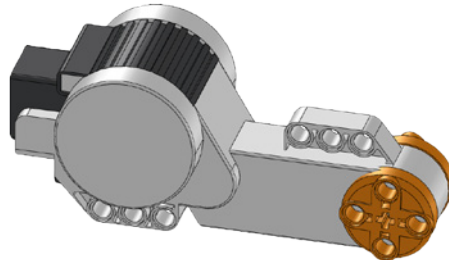
O



P



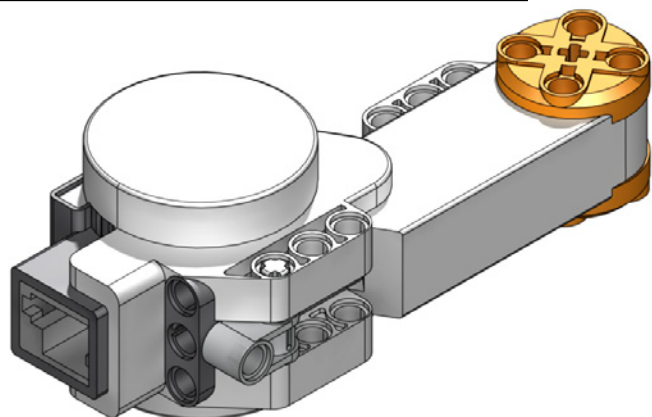
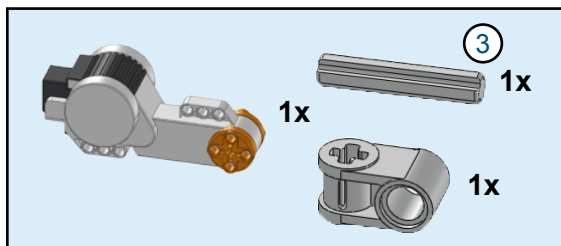
Q



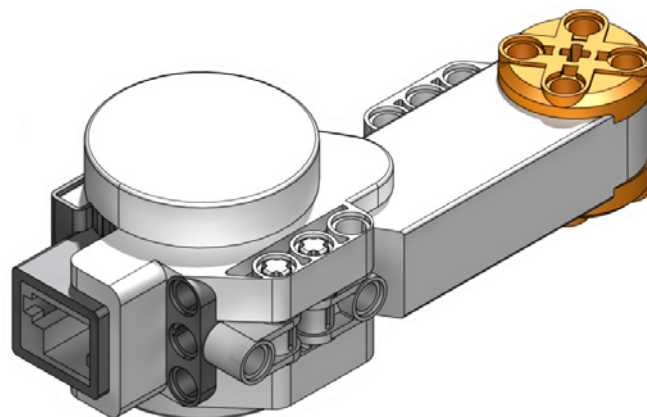
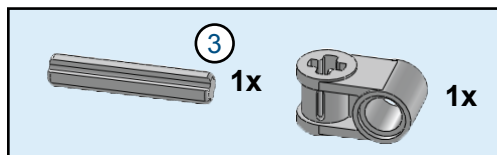
R



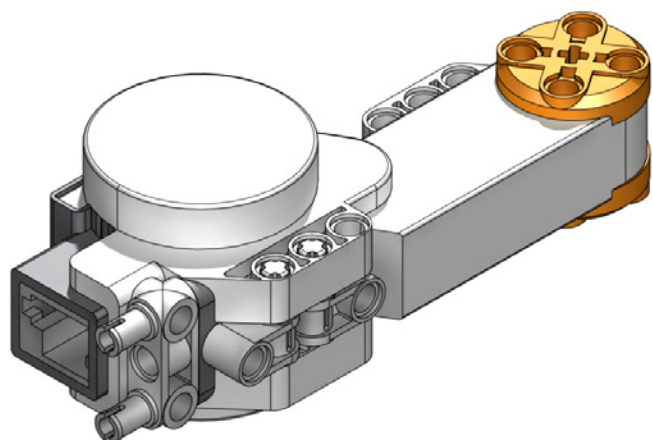
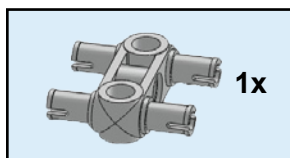
# 1



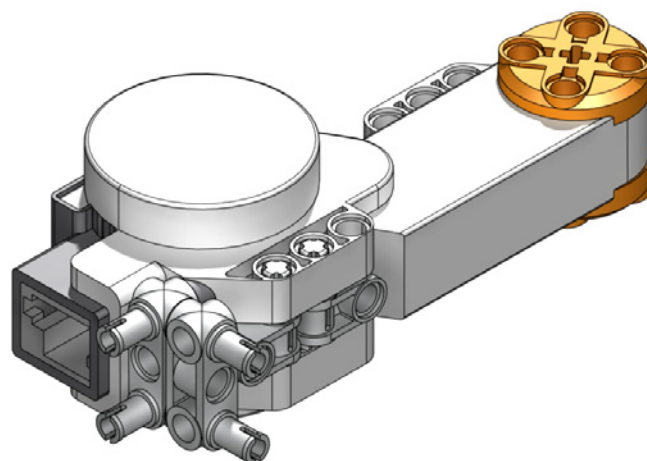
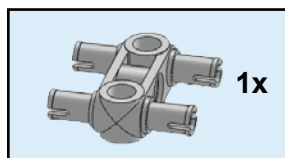
# 2



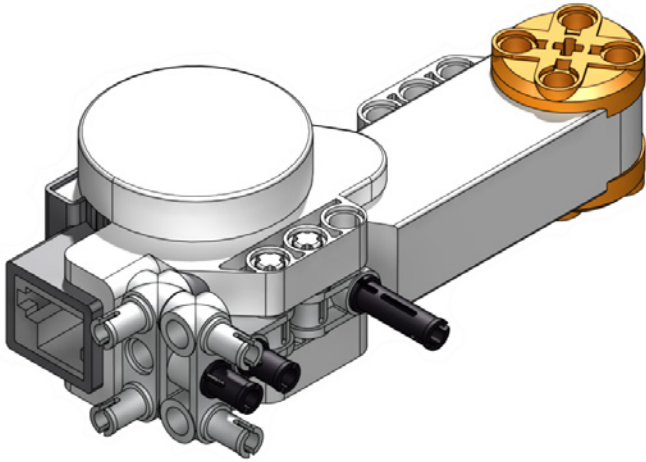
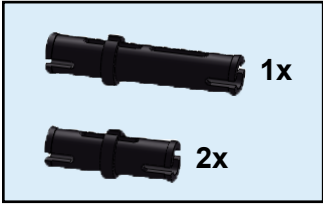
# 3



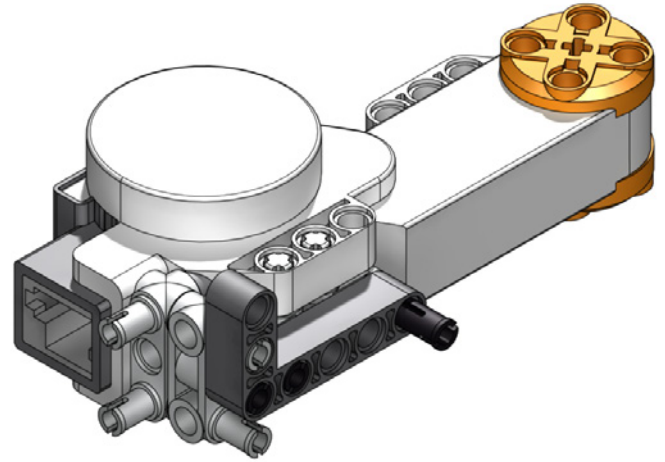
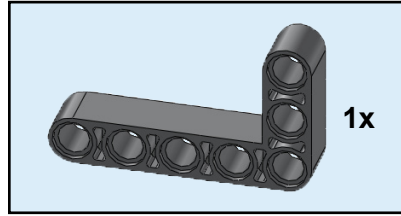
# 4



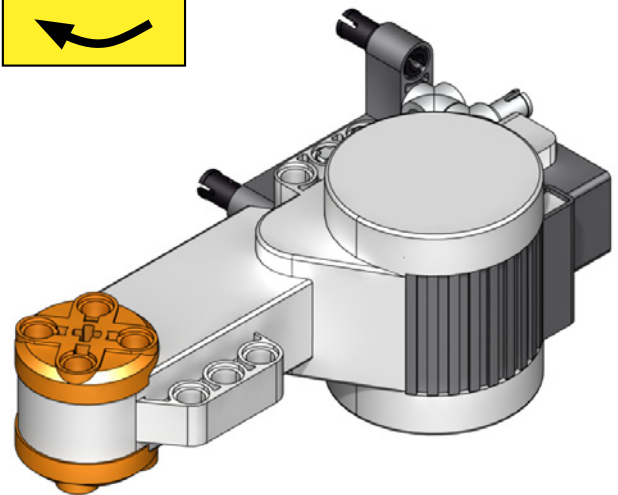
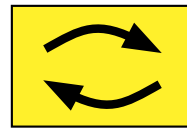
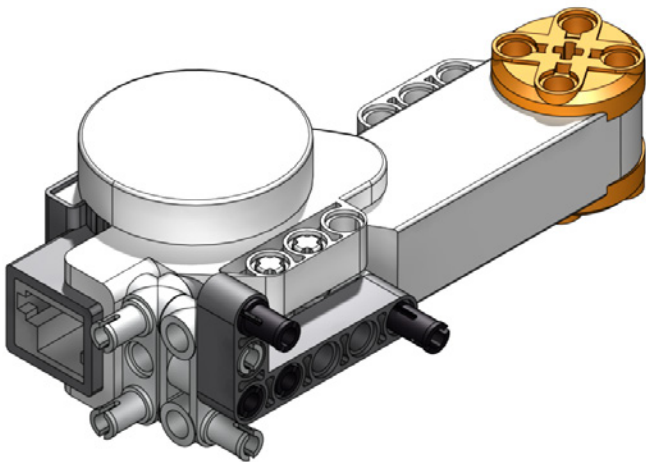
5



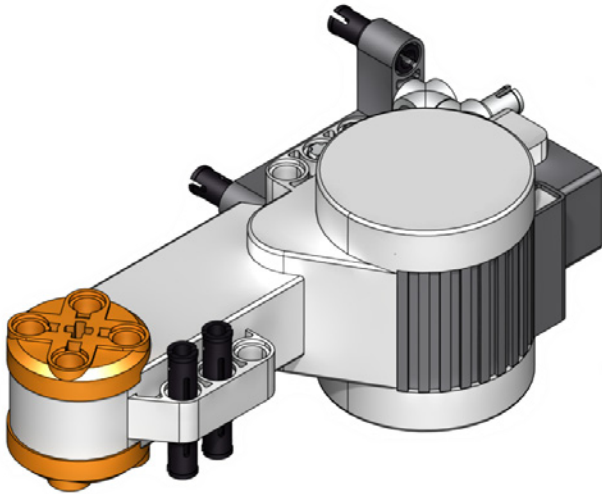
6



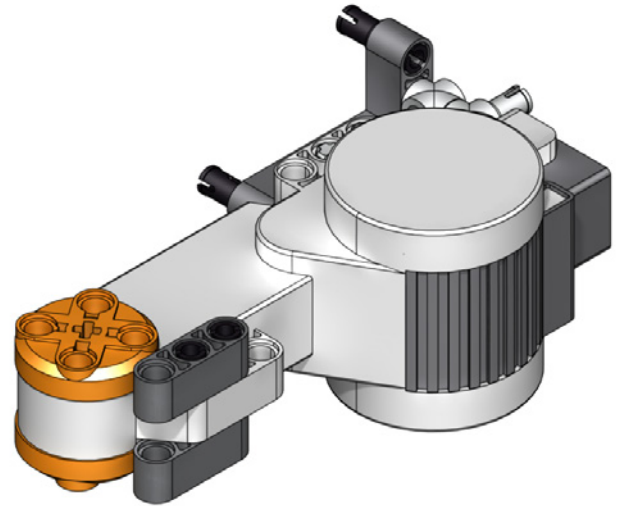
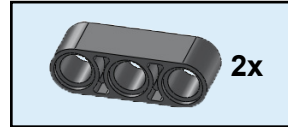
7



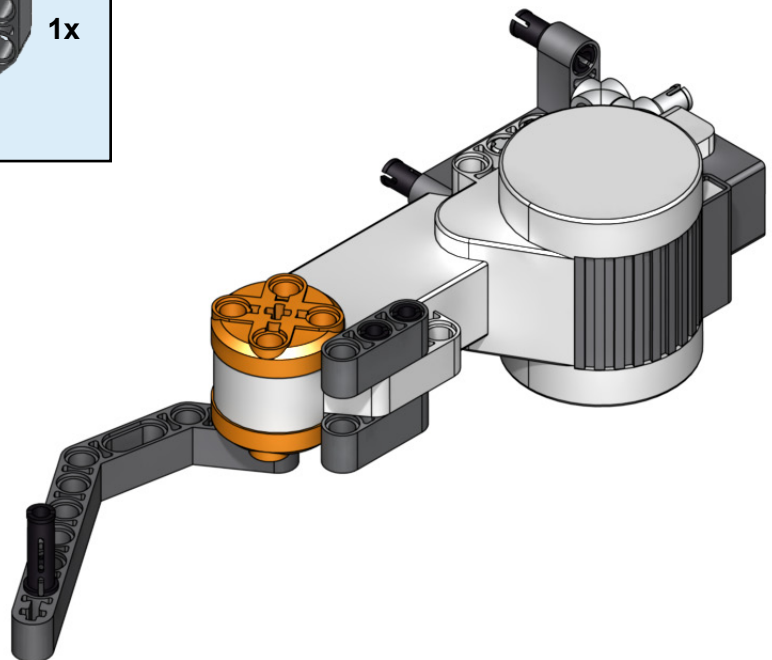
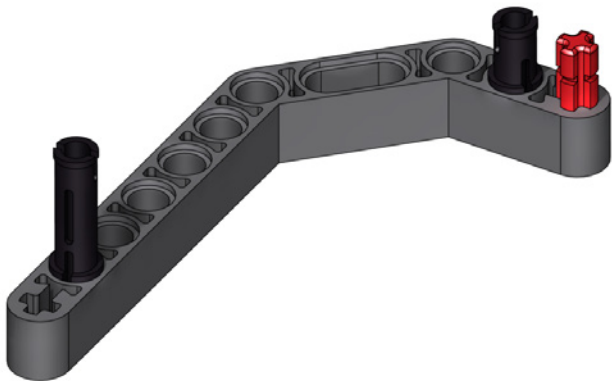
8



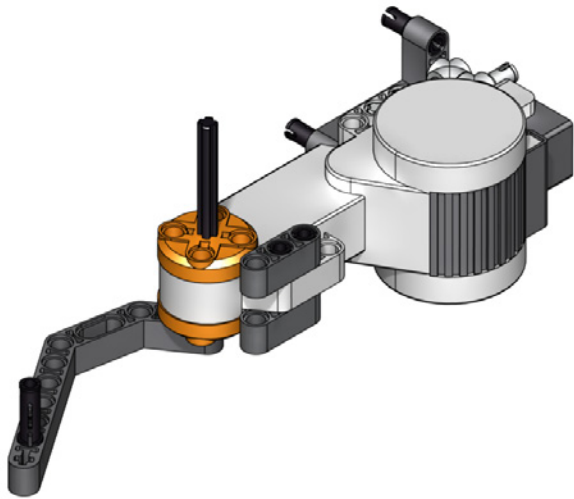
9



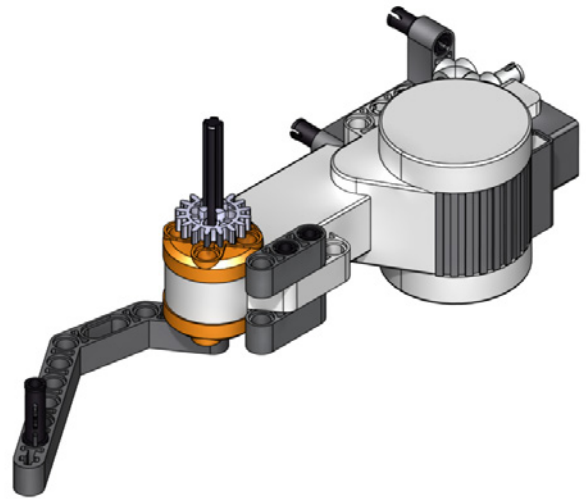
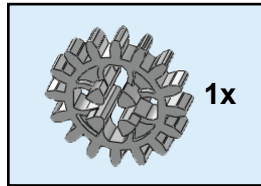
10



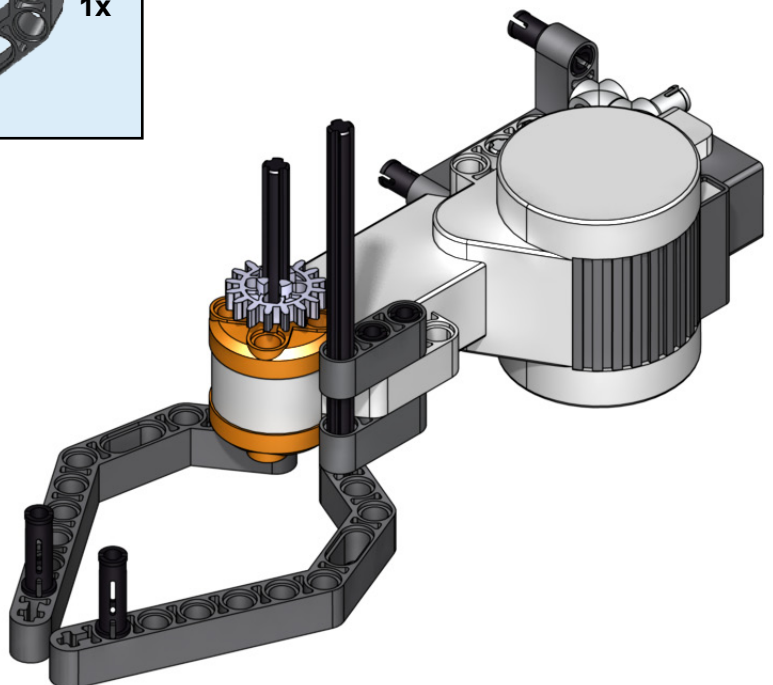
# 11



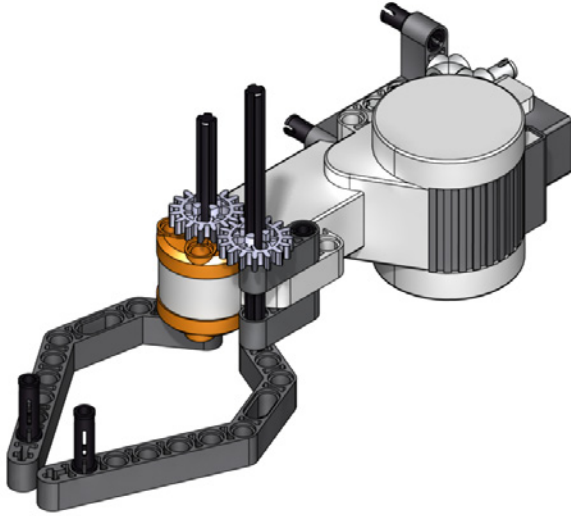
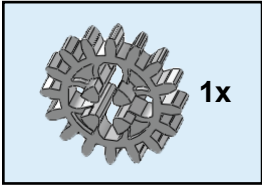
# 12



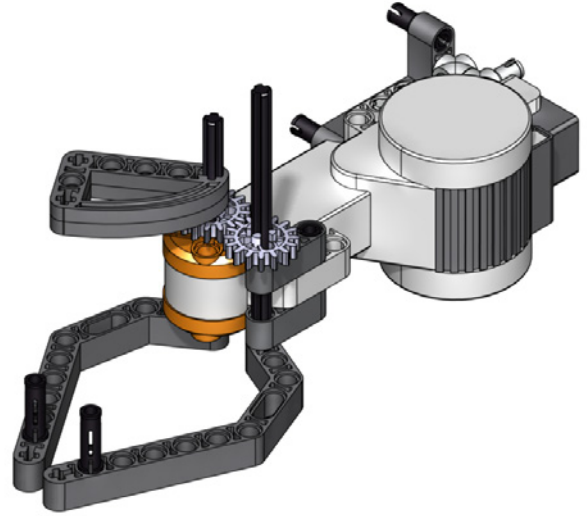
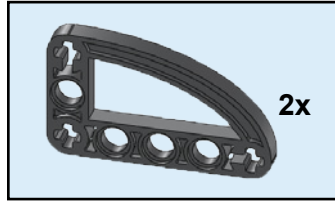
# 13



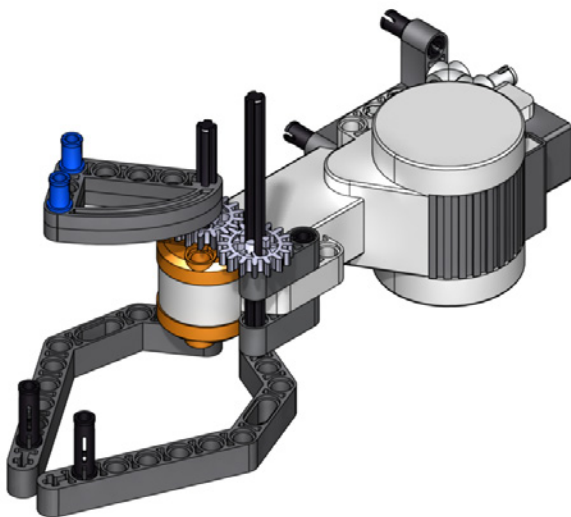
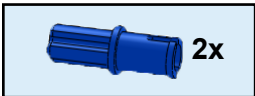
# 14



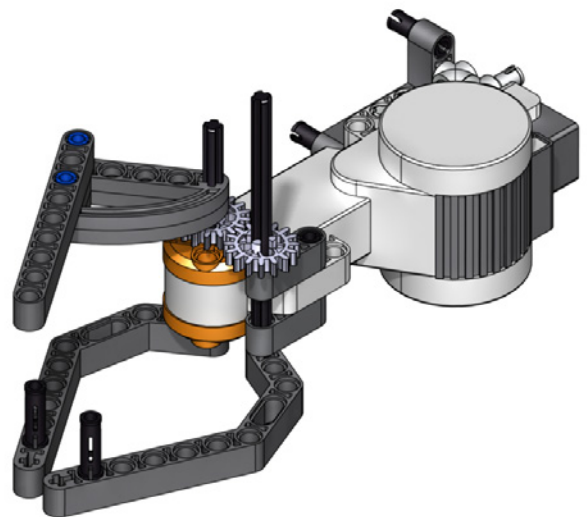
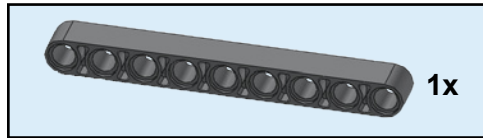
# 15



# 16

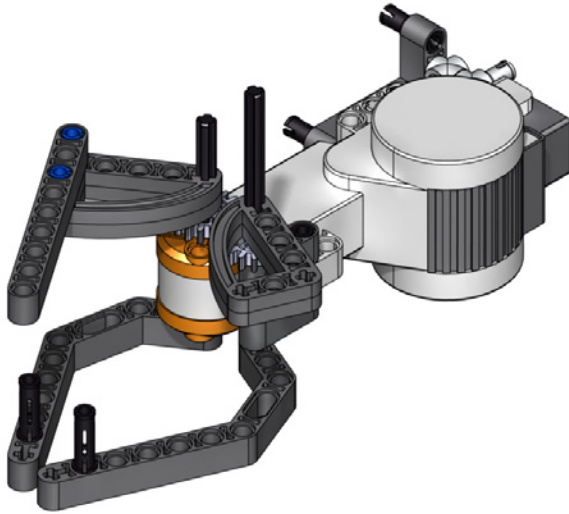
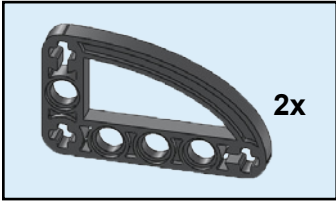


# 17

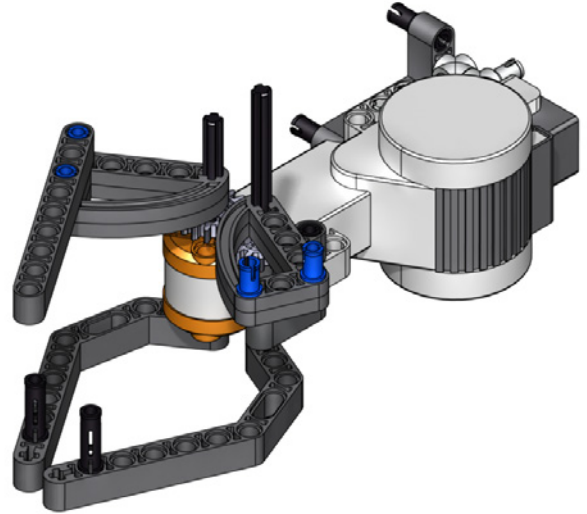
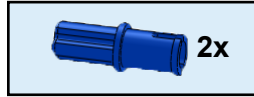




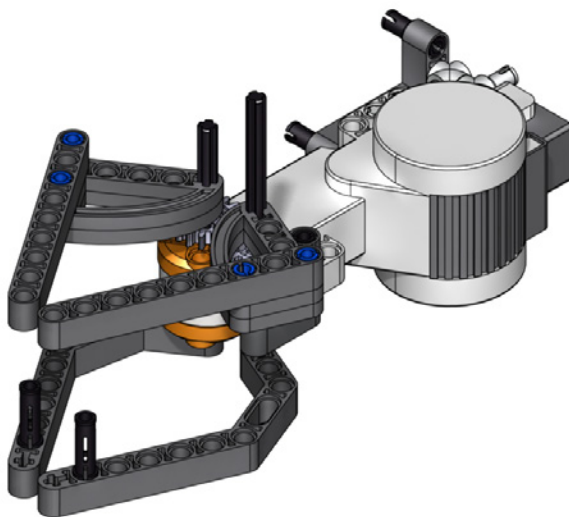
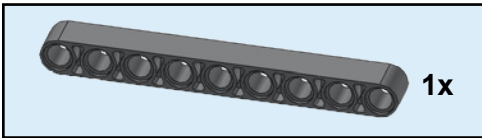
# 18



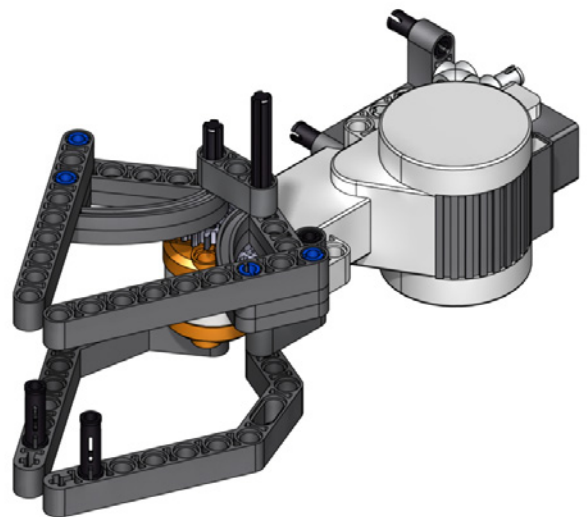
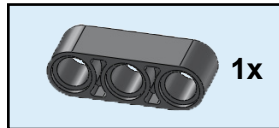
# 19



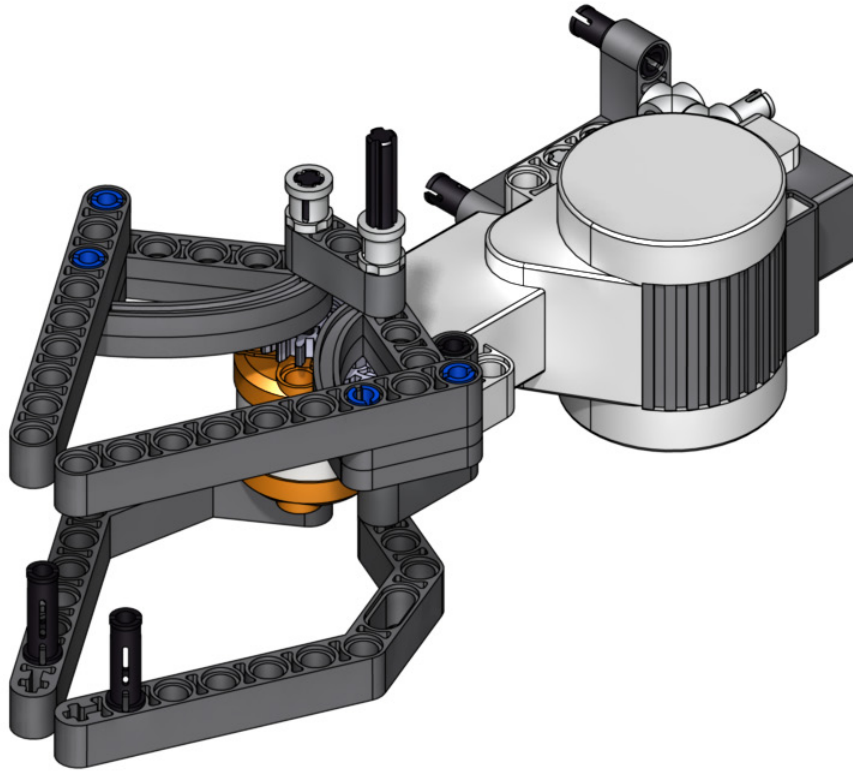
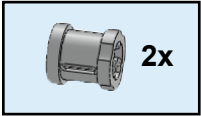
# 20



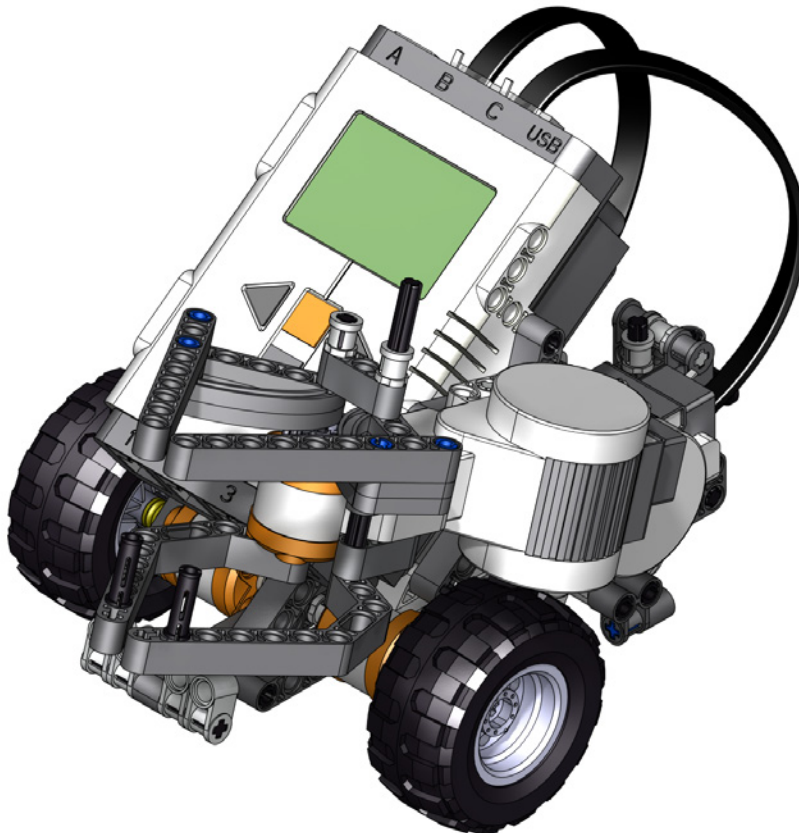
# 21



# 22



# 23



# 24

