



Totally absurd inventions



<http://totallyabsurd.com/>

Obtaining a patent is a costly and time consuming process. Inventors must have unstoppable faith in their vision in order to realize their dream of acquiring a patent.

But sometimes these inventions come from a creative place so deep, they can be perceived by some as offbeat, unusual and possibly a bit eccentric. And that's where we step in... unveiling America's Goofiest Patents!



Doggie Porthole - Hey, is your dog curious about what's on the other side of your fence? Is he looking to broaden his horizons beyond your back yard? Or maybe he has a serious crush on Fifi next door. No matter what the reason, it's time to give your canine friend a porthole for gazing asunder. To install, just cut a hole in your fence (good luck getting your neighbors permission for that one), and bolt in Bolt's bubble. And remember, this is for your dog so keep your head out of it!



Keyboard Food Tray - Snacking and drinking while sitting at your computer can get crumbs and even worse, coffee, in your keyboard. And buttery toasted crumbs and coffee belong in your stomach, not your keyboard. But now you can shield your keystroke machine from untimely accidents by covering it with the Keyboard Food Tray. From what we can tell, all's well as long as you ease your fingers under the tray and no sudden moves!



Remote Control with Built-In Bottle Opener - A cold brew and TV go hand in hand. And once you are settled into your favorite easy chair, getting up to get the bottle opener is just so inconvenient. So sit back, sports fan, and fire up your favorite game. With the Remote Control Bottle Opener, popping the top is as simple as hitting the mute button.

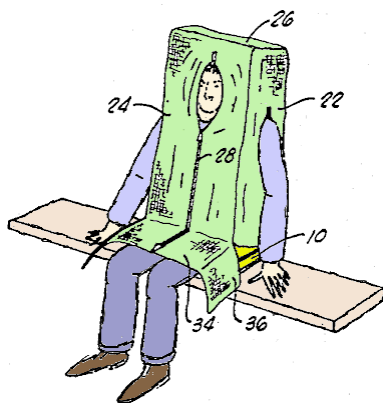


Alarm Fork

US Patent Issued In 1995

Who doesn't like to eat? Whether it's a big juicy steak or tofu casserole, everyone likes to chow down. But American's can be a gluttonous lot and obesity abounds around our towns. Why? Because you people are eating too fast! Quit inhaling your food! Slow down, take a break and give your food some time to settle. Slower eating leads to feeling full before you've devoured an entire ten course meal. Less food, less weight gain. And we're here to help, with the amazing Alarm Fork.

The rules: you can only eat when your fork gives you the green light. That's right, once you've shoveled some food into your mouth, the fork sensors cue the fork to emit a red light. And you know what that means, STOP! Now wait, tick, tick, tick, tick... ding! Green light, take a bite.



Bag Man

US Patent Issued In 1965

Stadium seats can be hard on ye ole buns and not all stadiums are domed for protection against bad weather. But you can still enjoy the game while sitting in rain, sleet, hail or snow in the Bag Man, your own personal padded biosphere for fallen fashionistas. This boxy invention combines a padded seat cushion with a weatherproof zippered cubist contraption that allows you to poke you face out to catch all the action. It even incorporates a lap flap that not only protects your lap from the elements, it also doubles as a serving tray. Now all you need to do is to stick your feet in a paper grocery bag to complete your exquisite ensemble.



Beach Boots

US Patent Issued In 1998

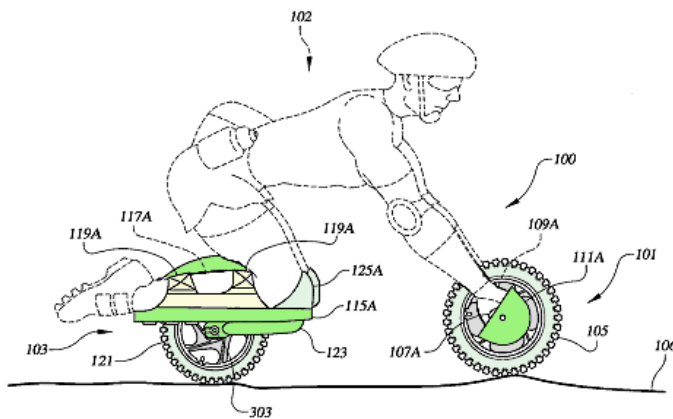
Most new inventions consist of improvements to previous inventions. Most inventions are not completely original in their concept. But our inventor wanted to find a niche, his own little piece of the invention world where no one had dared go before. He looked at the world of specialized shoes. He saw footwear for fencing, for football, for running and boxing. He saw specialized shoes for ice skating, for soccer and for basketball. But our courageous inventor never saw a shoe or boot for traversing sand, and thus was born, the Beach Boot!

Forget about the fact that where there's sand, there's usually sun and hot boots make for sweaty feet. Forget the fact that in order for humans to walk through sand, we

simply pick up our feet and move them forward, one at a time. Remember my friend, locomotion through sand is a niche so narrow as to surely give our inventor a world exclusive.

Each Beach Boot is powered by a mini-motor and battery pack concealed in it's sole. To move forward, you simply activate a toe-controlled switch mounted in your boot (we don't make this stuff up folks). The mini-motors kick your Beach Boots into gear and if our guess is correct, instead of moving forward, your body weight will cause the puny caterpillar tracks to proceed to dig a hole in the sand, right out from under you.

Creative? Yes. Practical? Schmactical!



Be The Bike!

US Patent Issued In 2004

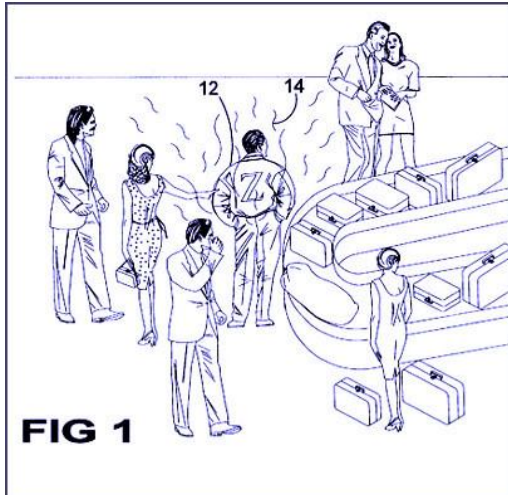
In the race to satisfy adrenaline junkies need for speed and for something new and dangerous, we present you with an extraordinary new form of downhill racing, where the rider becomes one with his steed, where the biker actually becomes the bike!

There are no motors so gravity is your go juice and to activate the rear brakes you need to squeeze your knees

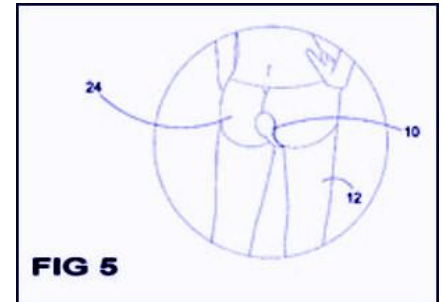
together like a mobile ThighMaster. Your legs are strapped to the rear gear so there's no bailing out but there is a fender to fend off fanny friction should you sit too low. We recommend wearing as much padding and body armor as possible because there's no way to catch yourself if you start to fall but hey, before you get going too fast, we bet you could pop a few wacky wheelies!

The Flatulence Deodorizer

Filed in April 2000, the flatulence deodorizer "discloses a pad to be worn by a user for absorbing gas due to flatulence."



This drawing pretty much sums up the problem: You're at the airport, waiting for your luggage in your favorite "Z" jacket, when suddenly you find yourself emitting odors so foul they require stink lines to be properly illustrated.



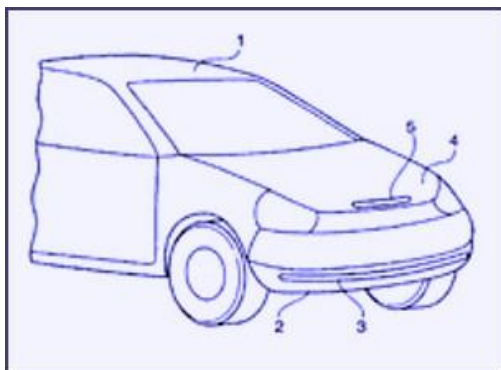
If you can get past the I'm-basically-wearing-a-weird-diaper-for-farts factor, this invention is actually a pretty good idea. Or it would be, we guess, if you're like the people in the testimonials on Flat-D.com. Those peoples' lives have been completely

ruined by farts. A quick sampler:

"Your product has really helped me in the cramped space of my cockpit. I would sometimes notice the other guys using their mask to get some fresh oxygen ... When I feel the urge I usually quickly install it thru the back of my pants. Then I do not have to worry. It also does a nice job muffling the noise."

"On September 14th mom will be 78 years old, and that's why I'd like to take her to Hawaii ... I've traveled there twice, but she never has because of her flatulence problems."

Method And Device For Recognition of a Collision With a Pedestrian

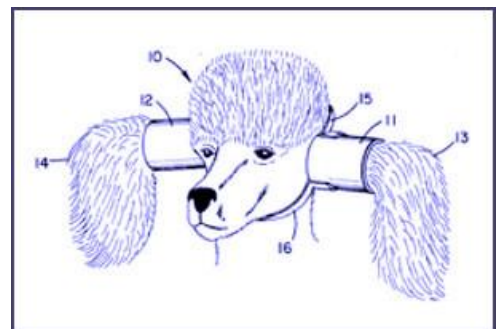


The days of plowing your car into things and not knowing whether or not it was a living person are finally over! This patent, which uses sensors in the car's bumper and engine hood, claims to be able to decide "with a high reliability" if that thing you hit was a pedestrian! It also takes into consideration changes in acceleration and whether or not the brakes were used prior to impact to figure it out.

Sounds like a pretty smart system to us. With that in mind, here's a little suggestion for the inventors: When you guys roll out the next version of this thing, maybe it'd be better if it actually PREVENTED the collision. That would probably make it slightly more useful. As it stands, all this really does is keep a tally of how many vehicular homicides you've committed.

Animal Ear Protectors

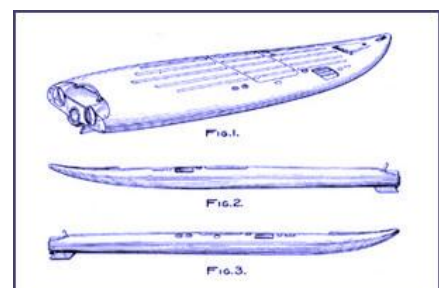
Do you have a dog with long, floppy ears, and if so, do you give it food? And if you give it food, is it always getting its long, floppy ears covered in the food that you give it? Is this actually a serious problem that you have to deal with? If so, you should write a letter to your local pet accessory manufacturer and let them know about [US Patent #4233942](#).



Then again, if this is a legitimate concern for you, you might also ask yourself, "What's wrong with my dog? Why can't it clean the excess food off its ears?" Or maybe, alternatively, "Will my dog look any less dumb walking around with these stupid tubes around its ears than it would with crusted-up dog food all over itself?" Then maybe, finally, "Why do I even own a dog? I don't have time to deal with this bullshit."

Jet Powered Surfboard

To be honest, a [jet powered surfboard](#) isn't really pointless at all. Say you're out in the Pacific carving a SICK pipeline and a shark creeps up on you. On a normal board, you'd be like "bummer," but on a jet powered board, it'd be more like "no problemo!"

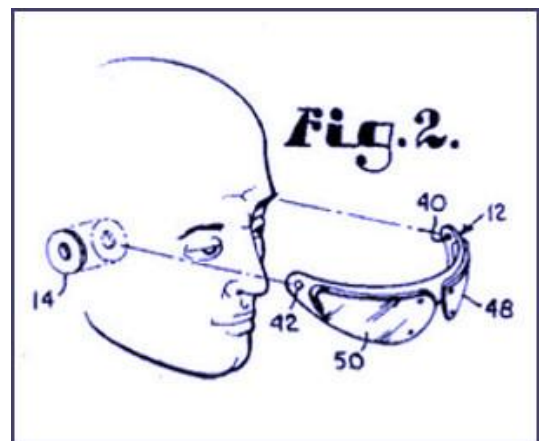


Also, just think of the cinematic possibilities that jet powered surfboards would open up. If they ever end up doing that [long-awaited Point Break sequel](#), can you imagine the chase scenes they could pull?! They'd make the hoverboard sequence from *Back To The Future II* look like a big pile of shit.

So yeah, it'd be great if these were commercially available, but they should probably come with one of those body counter devices from invention # 9 because jet powered surf boards would almost certainly kill hundreds (if not thousands) of people every year. Of course, these would be people who could enter the afterlife knowing they had died the most awesome death possible.

System For Magnetically Attaching Templeless Eyewear to a Person

For the uninitiated, "temples" are the little arms on eyeglasses that go behind your ears to hold them on your face. According to [this patent](#), temples "cause discomfort to the wearer ... and can even cause permanent creases in the wearer's head." Rather than go to his optometrist and get his glasses adjusted, inventor David Peschel decided to go the extra mile and waste years of his life solving a nonexistent problem.

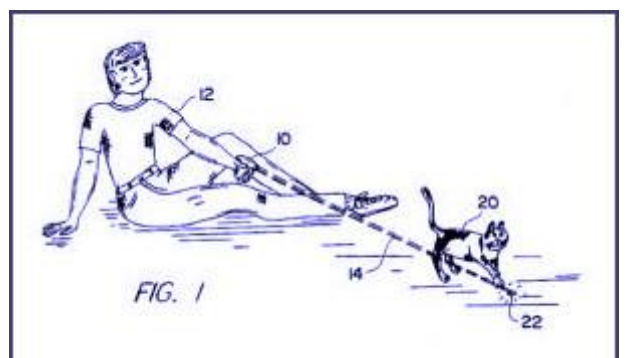


Here's the thing, though: Judging by the illustration, this system requires you to surgically remove your ears and replace them with magnetic rings. That seems a little drastic, particularly when you consider the fact that GLASSES REALLY AREN'T THAT UNCOMFORTABLE.

OK, upon closer examination, it turns out the system works by sticking adhesive magnets to the sides of your head. In a way, that might actually be worse than surgically removing your own ears. At least people without ears are capable of dignity.

Method Of Exercising a Cat

[This brilliant invention](#) "consists of directing a beam of invisible light ... onto the floor or wall ... then moving the laser so as to cause the bright pattern of light to move in

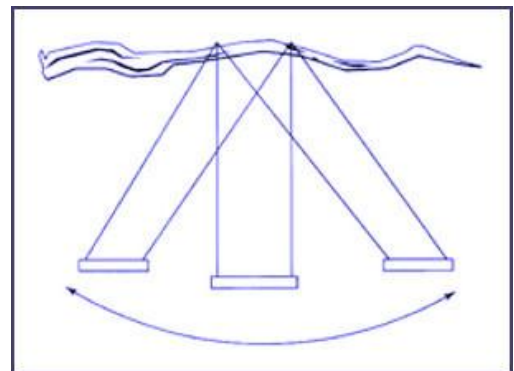


an irregular way fascinating to cats." In other words, this guy is claiming a patent on freaking your cat out with a laser pointer.

If this is patentable, then we think we'd better get down to the patent office immediately with another amazing invention. We'll call it "Method of Chewing Food," and it will "consist of placing edible objects within the human mouth, then applying pressure via the jawbone to mash (or "chew") said objects into a swallowable consistency." While we're at it, maybe we'll patent the concept of food itself and the entire human digestive system.

Method of Swinging on a Swing

Remember how you used to "pull alternatively on one chain and then the other" while "on a standard swing suspended by two chains from a substantially horizontal tree branch"? Guess what? This guy invented that, which means you owe one Steven Olson a hefty chunk of change.

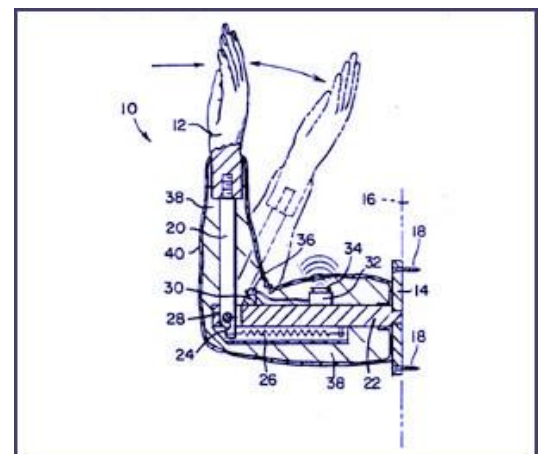


Make no mistake, though: Steven Olson isn't patenting one specific model of swing set, or swing sets in general. Steven Olson is patenting the *method* of swinging on a swing. If this is legally sound, we're thinking of patenting that thing where your friend tries to push you so high that you actually loop over the bar and come down on the other side.

Apparatus For Simulating a "High Five"

The Apparatus for Simulating a "High Five" was filed by an inventor named Albert Cohen, in an apparent attempt to make the most depressing device in history.

"During a televised sporting event," the patent explains, "a 'high

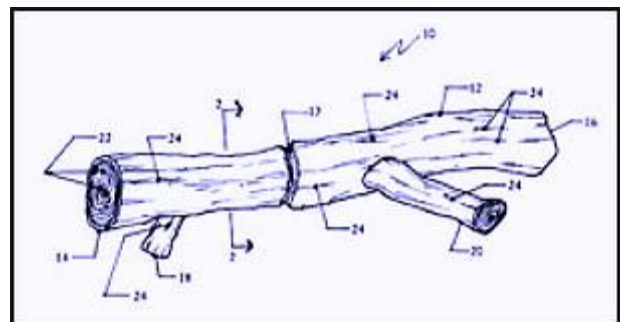


five' is commonly shared between fans to express the joy and excitement of a touchdown, home run, game-winning basket, birdie or other positive occurrence. Unfortunately ... a 'high five' requires the mutual hand slapping of two participants ... As such, a solitary fan is unable to perform a 'high five' to express excitement during a televised sporting event."

That might be the most unintentionally revealing patent ever written. Can someone write Albert Cohen a letter and clue him in about sports bars or fantasy football leagues or something? There's gotta be *someone* out there for him to watch sports with. As it stands, he's sitting around his dank one-bedroom apartment in sweatpants, oiling up his mechanical "high five" machine for tomorrow's big game. We almost want to manufacture this thing just so we can send anyone who purchases it directly over to Albert's house to hang out with him.

Animal Toy

Look at the picture. The title of this patent is "animal toy," and he says it may be made of "wood" or "wood composites." That's right; the dude is trying to patent the stick.



We admire this man's vision. We guess he was just sitting in the park one day with his dog, saw a nearby twig, and had the revolutionary idea to *throw the stick and make the dog chase it*. We can totally picture the dog bringing the stick back and this guy's eyes going wide. He slowly lifts the stick to his face and says, "EUREKA!" then goes sprinting through the park, waving the stick in strangers' faces and shouting, "Compared to me, Thomas Edison was *turds*."

Now, that may have been reasonable if the above events had taken place in, say, 12,000 B.C., instead of 1999 when the patent was filed. It doesn't matter now, this guy's got the stick patent and soon every forest in the planet is about to be sued out of existence for infringement.

Dust cover for a dog

Sept. 29, 1964

S. KESH

3,150,641

DUST COVER FOR DOG

Filed Sept. 4, 1963

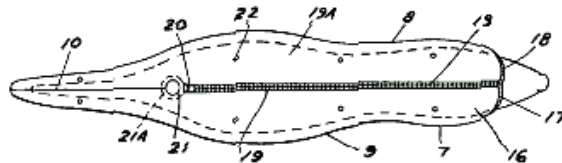


FIG. 2

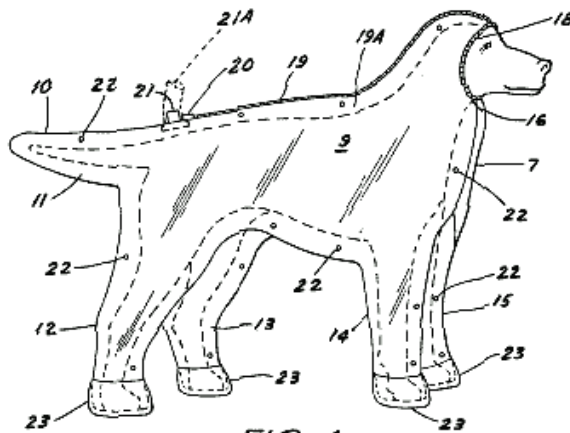


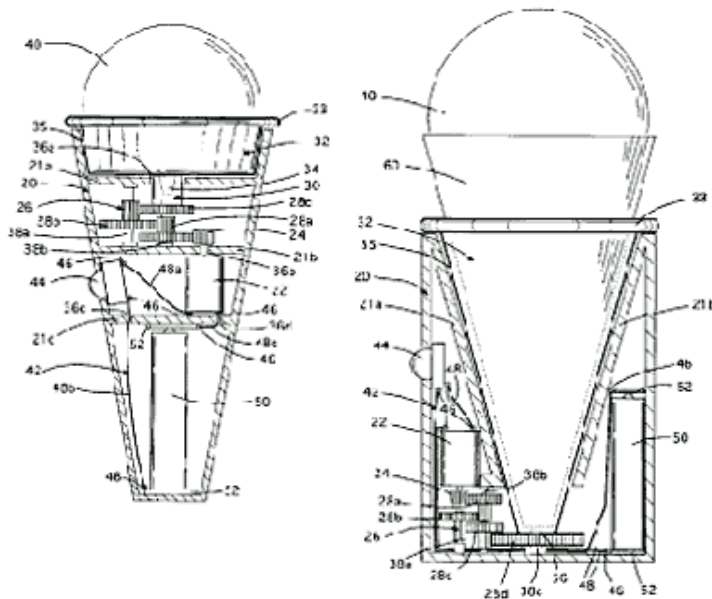
FIG. 1

Illustration for U.S. patent
n°3,150,641, a dust cover for a dog.

In addition to keeping dust off the dog, the 1964 invention is designed to keep flea-treatment products on the dog's skin while the chemicals are working.

The patent explains that the dust cover could also be used to dry the dog after a bath. You blast a hair dryer into the provided port, and the hot air circulates all around the dog's body.

Motorized ice-cream cone



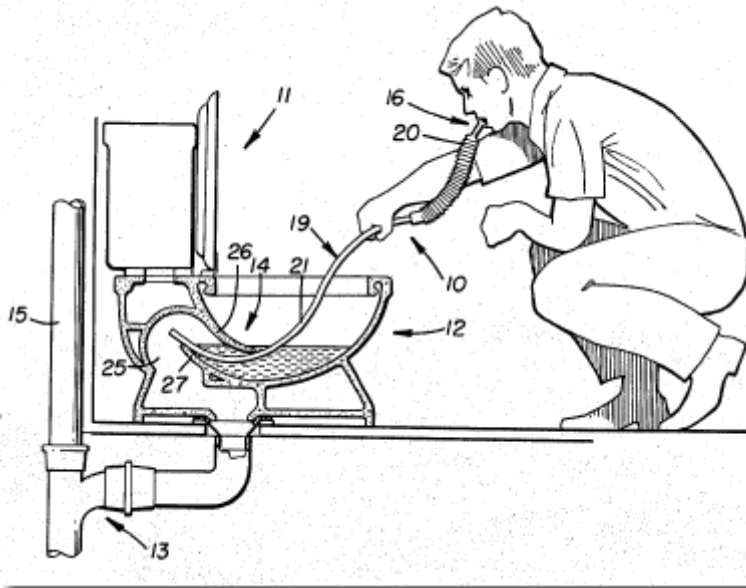
A motorized ice-cream cone, patented in 1998 by Richard Hartman.

The patent (n° 5, 971, 829) describes the device as "A novelty amusement eating receptacle for supporting, rotating and sculpting a portion of ice cream or similarly malleable food while it is being consumed".

Even this relatively simple novelty item has a fairly extensive patent. It includes seven claims and six drawings, and it cites 15 earlier

patents.

Life-saving supply of fresh air



U.S. Patent n° 4, 320, 756

This invention provides an economical device and method for ensuring a life-saving supply of fresh air to a person entrapped in a burning hotel room or the like, when the person is subjected to toxic smoke inhalation.

The fresh-air breathing device comprises breathing means for being held in communication with a respiratory intake passage

(mouth and/or nose) of the user and conduit means for communicating fresh air to such respiratory intake, including a first end connected to the breathing means and an open second end having sufficient flexibility and length for insertion through a water trap of a toilet. Carrying forth the method of this invention, such insertion of the conduit means or breathing tube through the water trap will expose the open end thereof to fresh air from a vent pipe connected to a sewer line of the toilet. The user may then proceed to breathe fresh air for life-saving purposes, until rescued...

The user can then start inhaling fresh air and oxygen through the device and exhale through his nose. The user can maintain this breathing procedure for hours and until he is rescued. A fireman who has depleted his bottled supply of oxygen can follow the same method to breathe fresh air. Even though the user may breathe-in a small amount of sewer gas, it is obvious that this small inconvenience is insignificant in comparison to the saving of the user's life.